

Hinged Door Enclosure

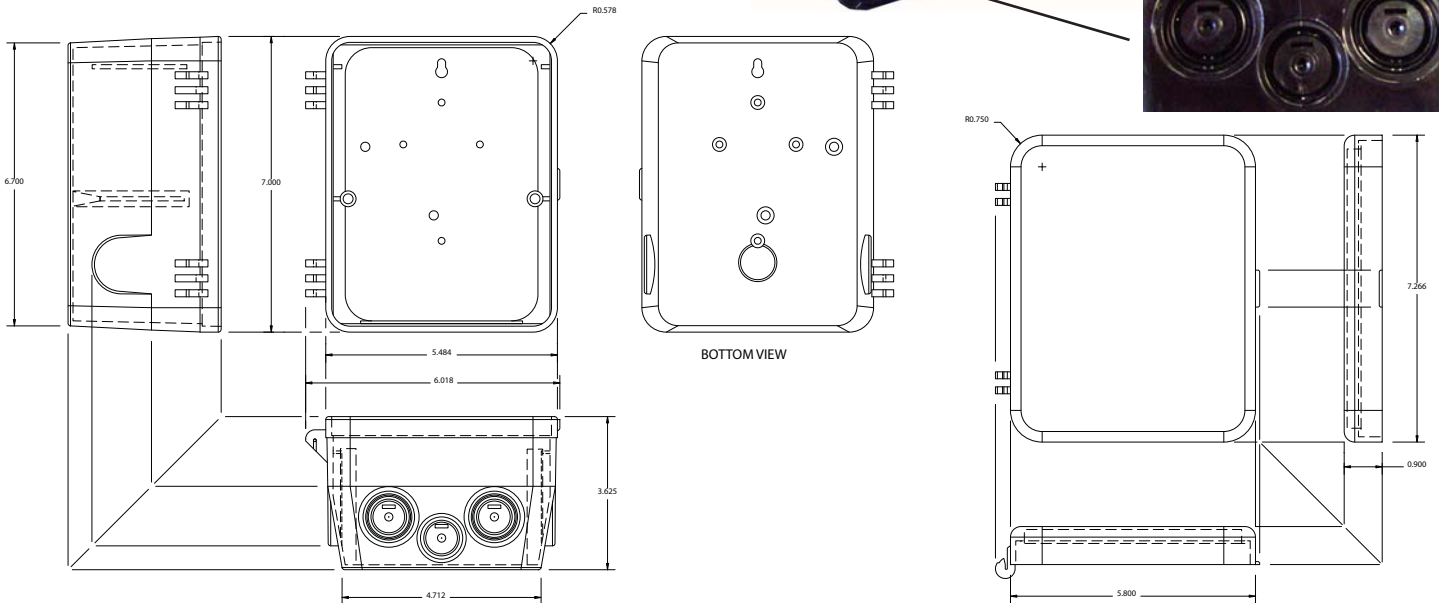
Housing color options Black or Gray
Cover color options Black, Gray or Transparent
Knockouts Available
UL 94-5VA flame rating
UV stabilized plastic

Optional Locking Mechanism



Optional Lock

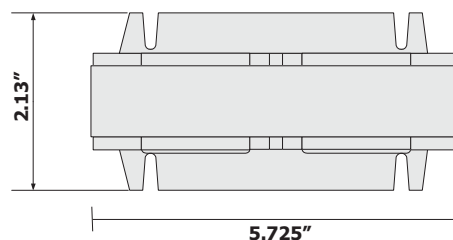
Knockouts Available



Housing with optional Mounting Base

Fiberglass reinforced polycarbonate
UL 94-5VA flame rating
UV stabilized plastic

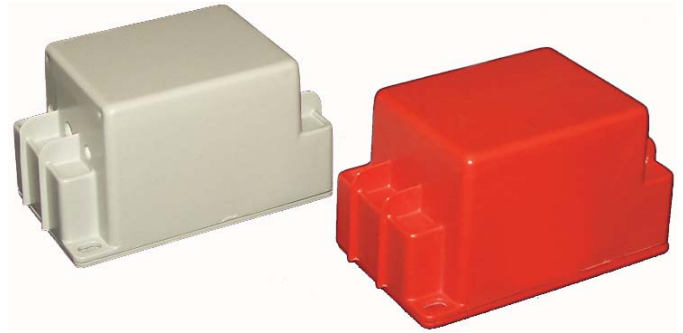
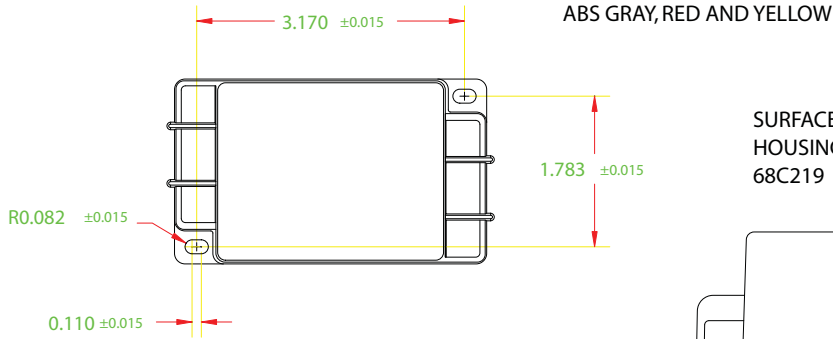
Available colors include: black or gray



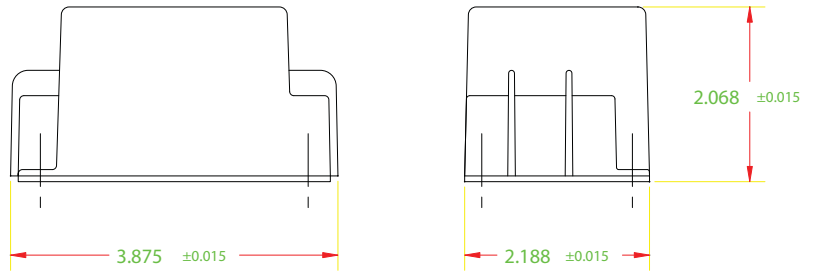
ABS Housing 68C219

UL 94-5VA flame rating

UV stabilized plastic



SURFACE MOUNT HOUSING 68C219

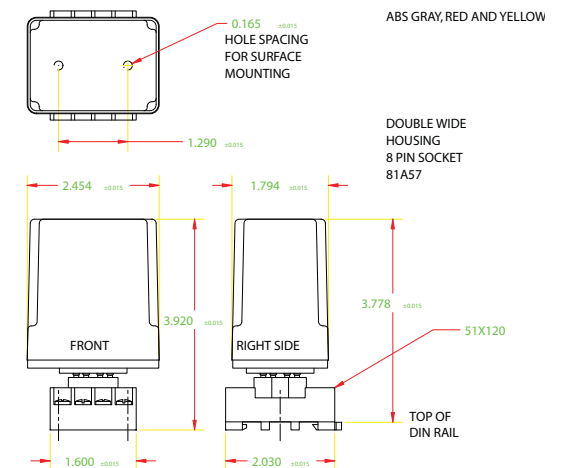
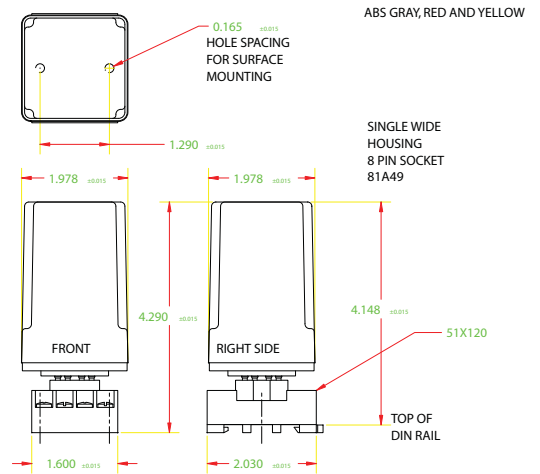


ABS Housings with 8 Pin Socket

UL 94-5VA flame rating

UV stabilized plastic

Black Nylon Base with 8 Pin



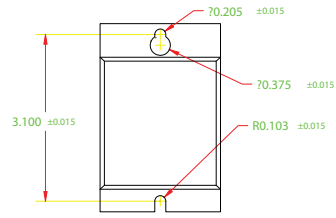
ABS Housings

UL 94-5VA flame rating

UV stabilized plastic

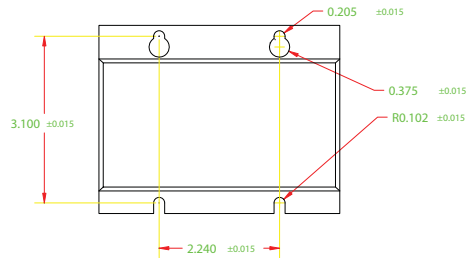
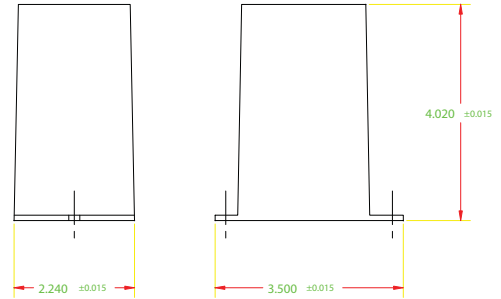
68C149 & 51 have removable top and bottom covers

68B408 & 68B117 have removable top cover only



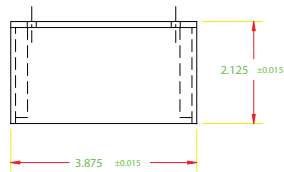
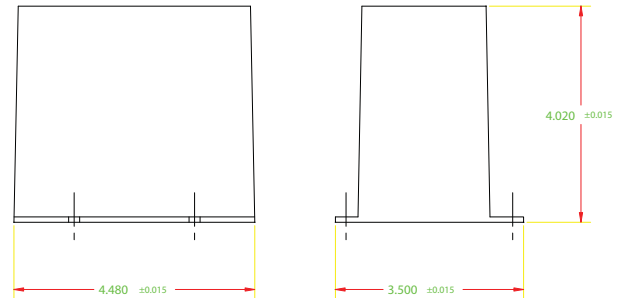
ABS GRAY

SINGLE WIDE
MACHINE TOOL
CASE
68C149

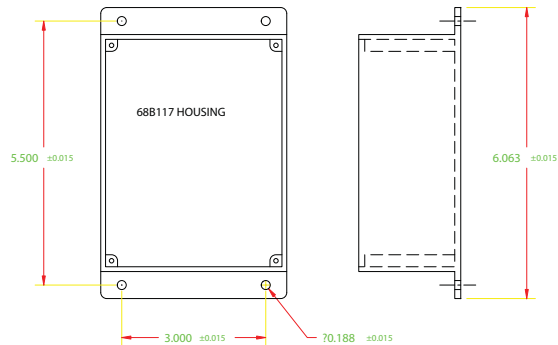


ABS GRAY

DOUBLE WIDE
MACHINE TOOL
CASE
68C151



ABS GRAY



Contact the factory for additional drawings.

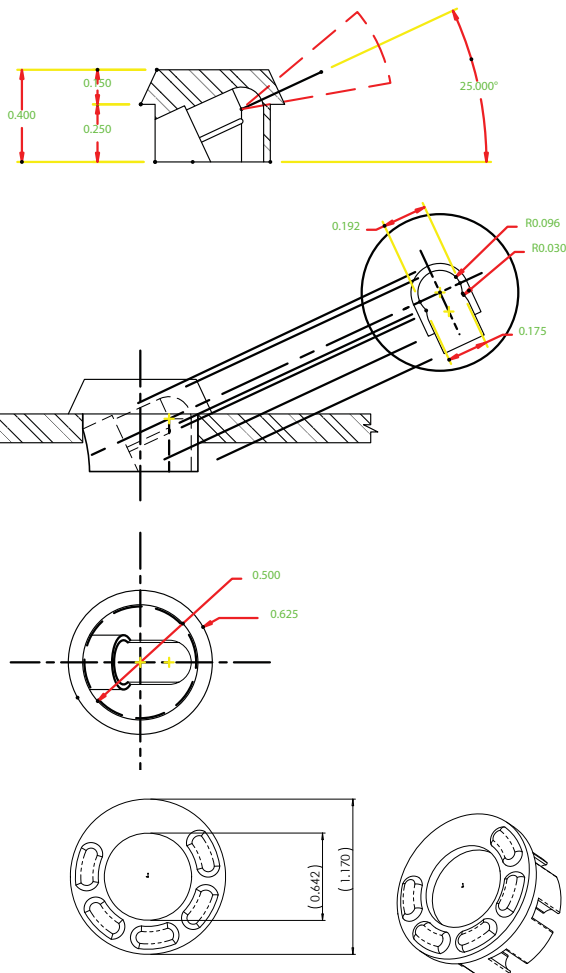
Tough Box Universal Extruded Box

- UL V50 Listed (Industrial Control Panel)
- 6063-T6 #1 Mill Finish Aluminum
- Meets NEMA requirements 1, 2, 3,3S, 4, 4X, 5, 12 & 13
- Watertight construction available
- Customized length 1" to 10 feet
- Dimensions 2.75" W x 4.2" H x Custom sized Length
- Circuit Board Slots for easy mounting
- "T" slots/Din Rail Capable
- Zytel, UL 945VA End Caps
- Optional LED mounting holes on end caps; maximum of four
- Optional 3/4" End Cap Conduit Opening
- Optional Anodized Aluminum



LED Lenses

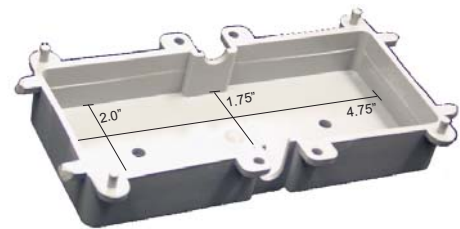
- Single LED Lens or Multi (1-5) LED Lens
- LEDs available in a variety of colors



Component Cover

- Interior Dimensions
- 4.75" W x 2.0" H, centerpoint 1.75"

- Molding tabs are removable
- Easily installs in Meter Adapters and other housings



Couplers - Polycarbonete

- Square Coupler
- Round Coupler

Custom Lengths available.



- Installation kits also available
- (Neoprene Gaskets, Bolts, Nuts and Washers)

2-Piece Box (ABS or Nylon)

Nylon box
Colors Available: Black

ABS box
Colors Available: Gray, Red and Yellow



Sealing Rings

LP Screw type Sealing Ring
SP Screw type Sealing Ring
Sliplock Sealing Ring (not shown)

Lock Rings Also Available
(Contact Factory with Specs)



Jaw Blades

Standard Jaw Blade
Jaw Blade Stabs
5th Jaw Kit

Custom lengths available.



Surge Protection

Maximum surge module rating @ 8/20 us wave = 60ka/phase
Maximum surge module rating with single limiting fuse @ 8/20 uswave = 60ka
Maximum Continuous Voltage 175 vac (other voltages available)
Maximum Temporary overvoltage at 70°C = 190 vac
ANSI/UL 1449 3rd Edition Abnormal Voltage Limited current test - passes opening - 5 min @ 5A
 I_n 20kA (Max. Allowable Nominal Discharge Current)
ANSI/UL 1449 3rd Edition clamp voltage (8/20 us wave) 6kV 3kA 500V
Parallel connection => unlimited current to load. Surge block clears > 10 KA symmetrical fault current
Max continuous operating temperature 60°C (140°F)
LED Status Indicator: lights on indicates that the unit is fully operational
Additional Surge Protection options available

