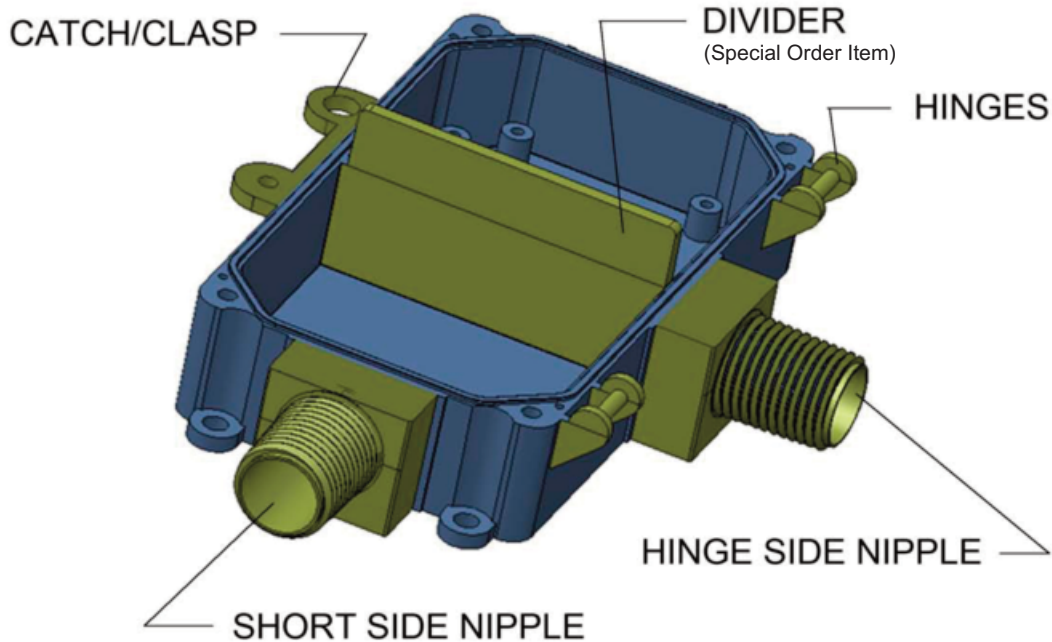


MPB - MultiPurpose Box

BOX FEATURES:



All features shown in Green are Optional.
Colors shown are for illustration purposes only and may not be available.

Outer Dimensions
4.8" x 2.77" x 1.62"

Inner Dimensions
4.57" x 2.53" x 1.25"

Model Number Configuration

M P B - D V - 0 1 / N S -

Housing

MPB = Multi-Purpose Box

Divider Option

00 = Not Applicable
DV = Divider

Box Color (Base)

01 = Gray
02 = Black
04 = Clear

Options

Cover, Lid Color
(only necessary if different than Box Base color)

01 = Gray
02 = Black
04 = Clear

MPB Box

HG = Hinged
CC = Catch Clasp
HC = Hinged & Catch Clasp
NS = Nipple, short side
NL = Nipple, long side
NB = Nipple, both sides
RB = Remove Busses

Lid Options

