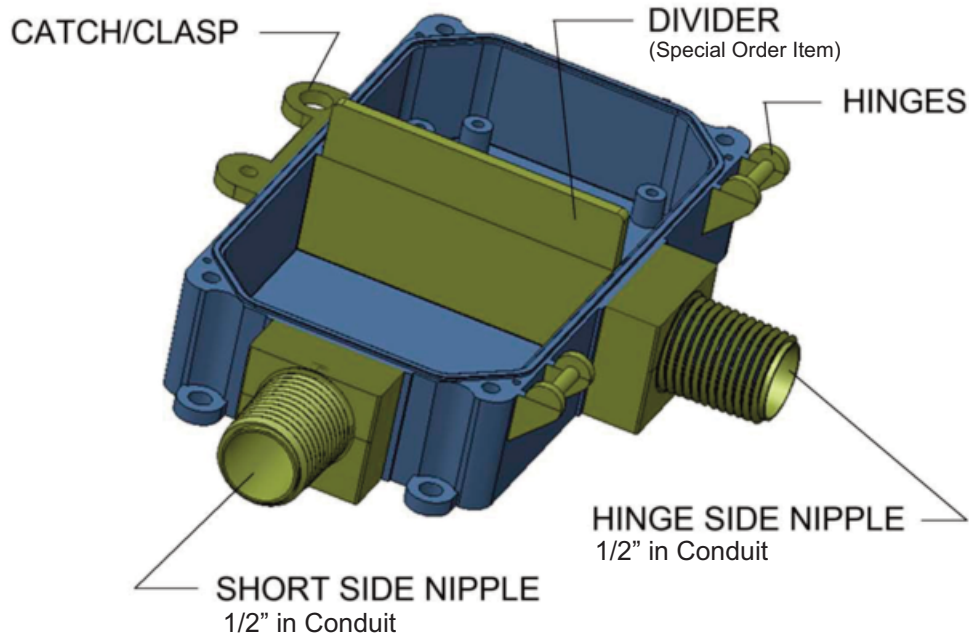


## MPB - MultiPurpose Box

### BOX FEATURES:



All features shown in Green are Optional.  
Colors shown are for illustration purposes only and may not be available.

Circuit Board Bosses in Box and Lid (optional removal)  
Box available with short side nipple, long side nipple, both sides or neither.

**Outer Dimensions**  
4.8" x 2.77" x 1.62"

**Inner Dimensions**  
4.57" x 2.53" x 1.25"

### Model Number Configuration

**M** **P** **B** - **D** **V** - **0** **1** / **N** **S** -

#### Housing

MPB = Multi-Purpose Box

#### Divider Option

00 = Not Applicable  
DV = Divider

#### Box Color (Base)

01 = Gray  
02 = Black  
04 = Clear

#### Options

Cover, Lid Color  
(only necessary if different than Box Base color)

01 = Gray  
02 = Black  
04 = Clear

#### MPB Box

HG = Hinged  
CC = Catch Clasp  
HC = Hinged & Catch Clasp  
NS = Nipple, short side  
NL = Nipple, long side  
NB = Nipple, both sides  
RB = Remove Bosses

### Lid Options

