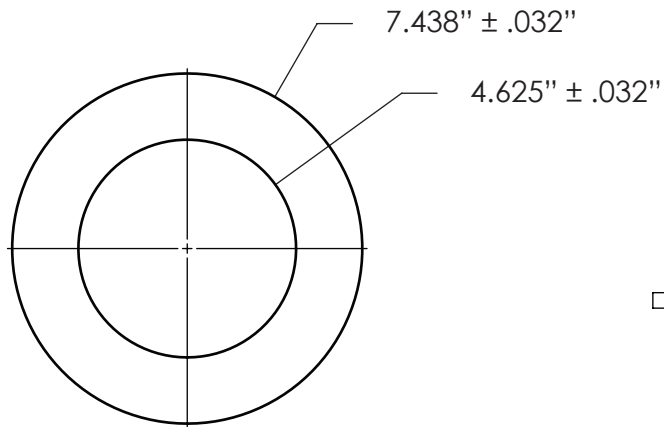


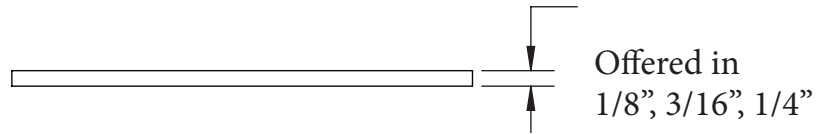
Meter Socket Gasket

Also Available As OEM Products



Meter Socket Gasket	
Material	Neoprene, Vinyl, Buna-N Foam
Thickness Tolerance	-0.032" to + 0.032"
Temperature Range	-40 °F to 200 °F
Density	5lbs/cu. ft.
Specifications Met	ASTM D1056 2C1, UL 94HF1

Designed to fill the gap between the meter and the meter cover to protect from the elements.



(Diagrams are not to scale)