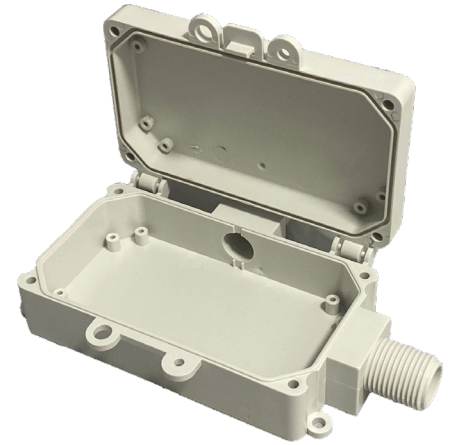


Specifications & Features

Also Available As OEM Products

Enclosure models without lid seal	Type 1
Enclosure models with lid seal and 2 lid screws	Type 1, 3
Enclosure models with lid seal and with 4 lid screws	Type 1, 3, 4, 4X, 6
Operating temperature range	-40°C to 85°C (silicone seal) -35°C to 60°C (nitrile seal)
Male Threaded Nipple	1/2" or 3/4" non-tapered
Female Threaded Hole	PG11 or M16 (for cord grips)
Enclosure UL 94 Rating	5VA/V-0 (Grey), HB (colors)
Enclosure Options	Hinged Lid, Internal Circuit Board Bosses, Alternate Colors, Lockable Clasp, Molded Threaded Male Electrical Conduit Nipple, Male thread can be changed to female threads



The AE Products Multipurpose Enclosure is a molded plastic enclosure for electrical or electronic equipment. The enclosure is intended for inside or outside use. The enclosure is intended to be used with fittings appropriate to the application in accordance with the NEC or connected directly to other enclosures by use of the molded nipple in accordance with the NEC. The enclosure is intended to be an End of Line electrical box and is not intended to form part of a safety grounding system.

Model Number Configuration

MPB - 01 / NB - NL - _____

Box Color

- 01 - Gray
- 02 - Black
- 03 - Blue
- 04 - Clear
- 05 - Fern Green
- 06 - Fluor. Green
- 07 - Orange
- 08 - Red
- 09 - Pink
- 10 - Off White
- 11 - Yellow

Options (Multiple options allowed)

PCB Mounts (Bosses)

- NB - No Bosses
- LB - Lid Bosses
- BB - Box Bosses

Nipple Location

- NN - No Nipple
- NL - Nipple, Long Side
- NS - Nipple, Short Side
- NB - Nipple Both Sides

Internal Threading (Instead of Nipple)

- ML - M16 Female Thread, Long Side
- MS - M16 Female Thread, Short Side
- MB - M16 Female Thread, Both Sides

Internal Threading (Instead of Nipple)

- PL - PG11 Female Thread Long Side
- PS - PG11 Female Thread, Short Side
- PB - PG11 Female Thread, Both Sides

Lid Seal

- LS - Lid Seal (Internal O-Ring)
- L1 - Lid 1 Screw
- L2 - Lid 2 Screws
- L3 - Lid 3 Screws
- L4 - Lid 4 Screws

Nipple Size

- 12 - 1/2"
- 34 - 3/4"

Hinge

- NH - No Hinge or Clasp
- HC - Hinge & Clasp
- HG - Hinge Only
- CC - Clasp Only

Lid Color

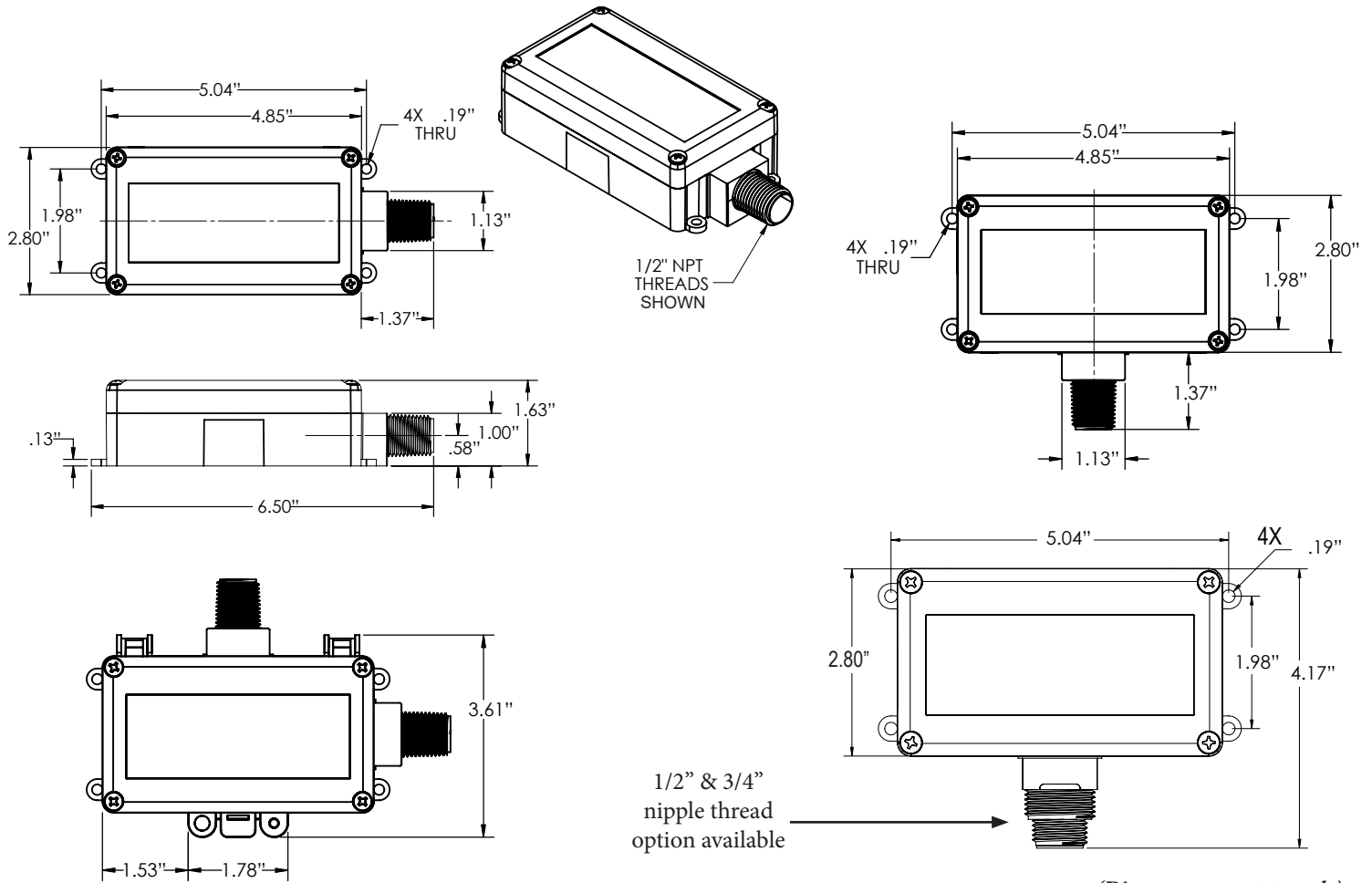
- 01 - Gray Lid
- 02 - Black Lid
- 03 - Blue Lid
- 04 - Clear Lid
- 05 - Fern Green Lid
- 06 - Fluor. Green Lid
- 07 - Orange Lid
- 08 - Red Lid
- 09 - Pink Lid
- 10 - Off White Lid
- 11 - Yellow Lid

This box offers a great deal of customization extending even beyond the details shown here. Please contact the factory if you have any questions or if you are looking for something specific. We can work with you to create the box you need for your project.

Note: You may add additional options as needed by extending the model number.

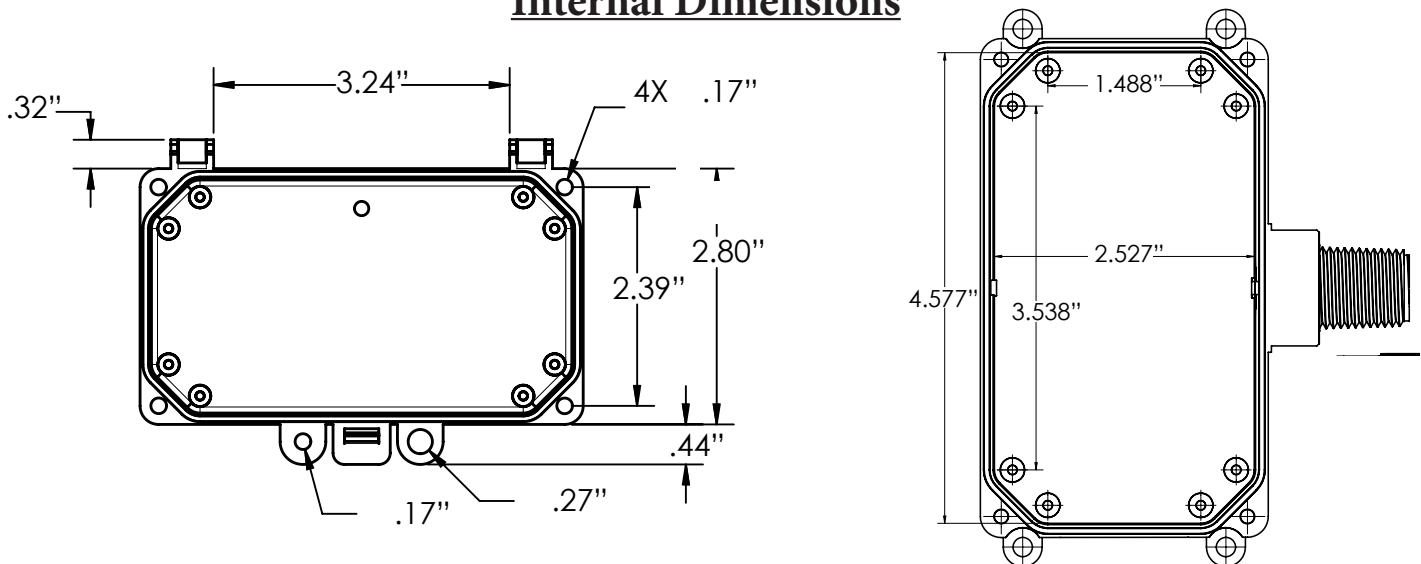
Exterior Dimensions

Also Available As OEM Products



(Diagrams are not to scale)

Internal Dimensions



(Diagrams are not to scale)

Multipurpose Enclosure

Also Available As OEM Products

