

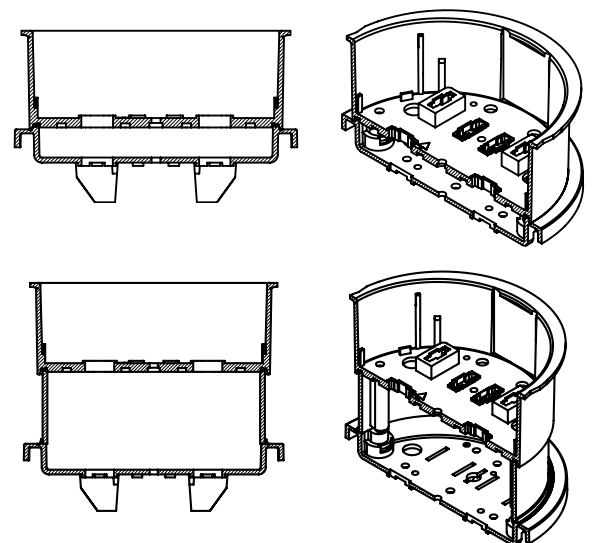
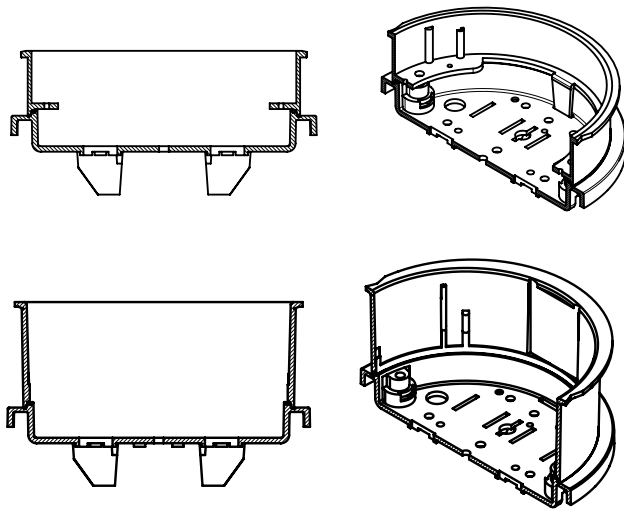
Single vs. Dual Cavity

Single Cavity: Housing or enclosure with a single hollow space.

Dual Cavity: Housing or enclosure with two hollow areas available for use.

Single Cavity

Dual Cavity



Stand-out: The distance the housing or device extends outward beyond the face of the meter socket when installed.

