

Also Available As OEM Products

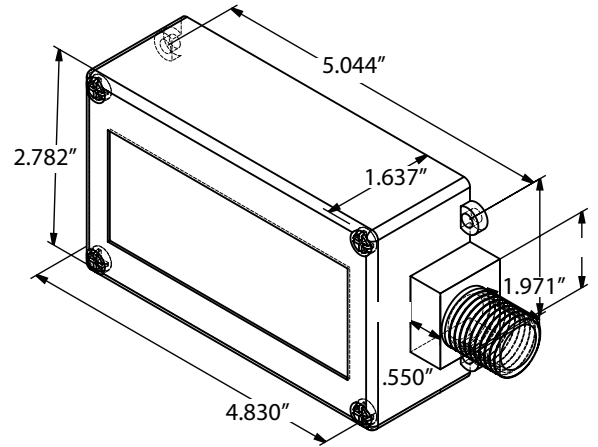
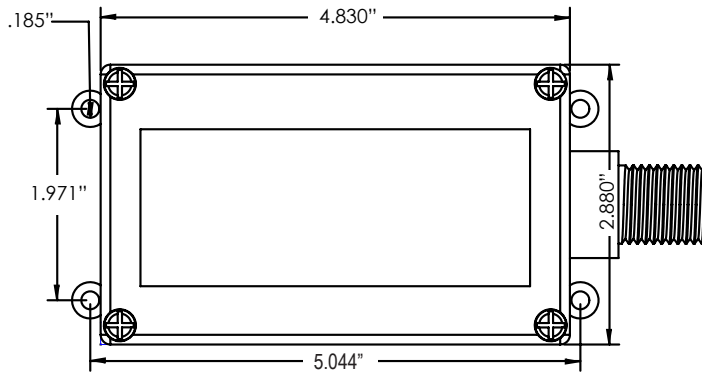
**Specification & Features**

I <sub>n</sub> (nominal discharge current)	10/20 kA
Max Surge Current	50kA per Phase
Max Load Current	up to 800 Amps Continuous
Fusing*	Thermal and Short Circuit Fusing
Short Circuit Current**	100kA RMS Symmetrical Amps
Housing Rating	NEMA 4X, 6P
Diagnostics	Fiber Optics/LED
Enclosure	Polycarbonate (alternate enclosures available)
Safety Standards	UL 1449
Operating Frequency	50/60 Hz
Nipple Options	Available in 1/2" & 3/4" Nipple Thread
*No external fusing required. **Required by ANSI/UL 1449.	



AE Product's **SSA Series**, is a Type 1 and Type 2 surge protection device listed to ANSI/UL1449. Other listed surge protection devices available. Contact the Factory.

**Dimensions**



**Model Number Configuration**

(Diagrams are not to scale)

Model Number	Service Voltage	MCOV	VPR			
			L - N	L - G	N - G	L - L
SSA-120/050-2	120/240 Single	150	600	600	1200	-
SSA-SP120/050	120/240 Split	150	600	1200	600	1200
SSA-3Y120/050	120/208 Wye	150	600	1200	600	1200
SSA-3HL120/050	120/240 Highleg	150	600/1000	1200/1800	600	1200/1800
SSA-3D240/050	240 Delta	320	-	1000	-	2000
SSA-SP240/050	240 Volt Two Phase	320	-	1000	-	2000
SSA-3Y277/050	277/480 Wye	320	1000	2000	1000	2000
SSA-3D480/050	480 Delta	550	-	1800	-	4000
SSA-120/050	120 Volt Single Phase	150	600	600	1200	-