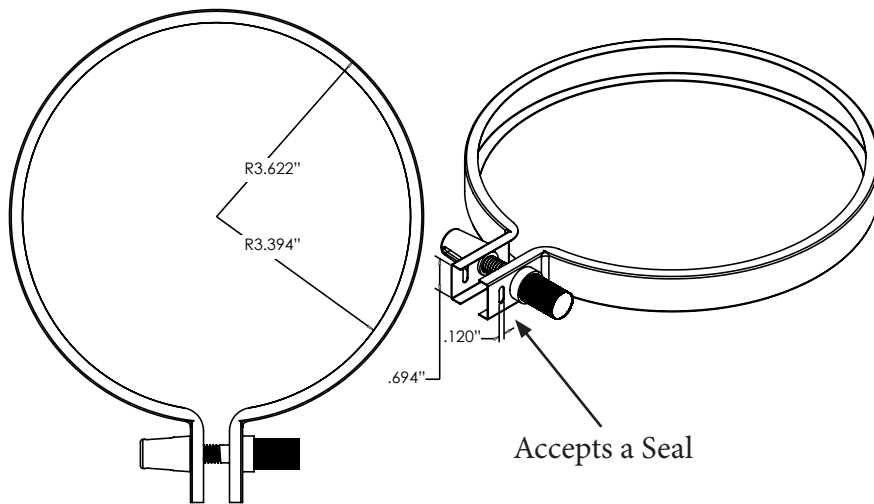


Also Available As OEM Products

## Sealing Ring - Screw Type

Stainless Steel

Universal Left and Right



Alternate Rings Available. Contact Factory for Information.

*(Diagrams are not to scale)*