

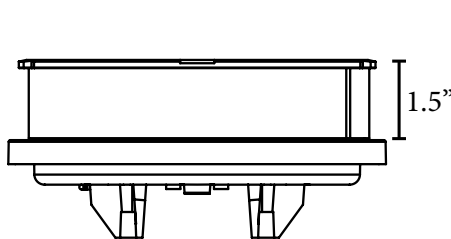
Also Available As OEM Products

## Specification & Features

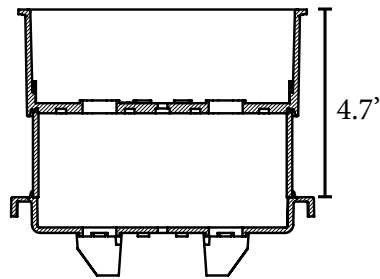
UV Stabilized Plastic
Flame Rating: 5VA/V-0 (Grey), HB (colors)
Polycarbonate (Fiberglass Reinforced Grey)
External Ground Connection Available
Single Cavity Housing (Stand-out min. 1.5", max. 4.7" - <a href="#">More Information</a> )
Dual Cavity Housing (Stand-out min. 2.4", max. 4.7" - <a href="#">More Information</a> )
RotoLock Mechanism Option Available ( <a href="#">More Information</a> )



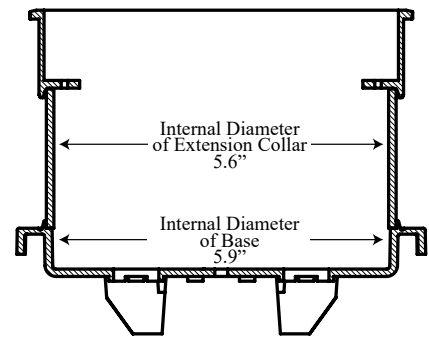
## Dimensions



Minimum stand-out height 1.5"



Maximum Dual Cavity height 4.7"



(Diagrams are not to scale)

The AE Products Customized Meter Socket Adapter are designed for use on ringless or ring style meter sockets. ([More Information](#)) These Adapters come in a wide variety of stand-out dimensions ([More Information](#)) and are offered in single and dual cavity housings. ([More Information](#)) AEP Meter Socket Adapters are completely customizable and the perfect housing for all your needs.

## Model Number Configuration

**EXT - DC - 02S - 01 / 265 - \_\_\_\_\_**

Socket Extender	Meter Form	Color	Options (multiple options allowed)			
DC - Dual Cavity	01S - 1S	01 - Gray	<b>Stand-out Height (required)</b> First 5 available in single cavity only 150 - 1.50" 175 - 1.75" 200 - 2.00" 225 - 2.25" 230 - 2.30" 240 - 2.40" 250 - 2.50" 265 - 2.65" 275 - 2.75" 290 - 2.90" 300 - 3.00" 315 - 3.15"	<b>Ground</b> GND - Meter Ground (Strap)  <b>Jaw Blade Configuration</b> JB3 - 3 o'clock position JB6 - 6 o'clock position JB9 - 9 o'clock position  <b>RotoLock Mechanism</b> RL - RotoLock Mechanism (Available in certain configurations. Contact the factory for details)		
SC - Single Cavity	02S - 2S	02 - Black			325 - 3.25"	340 - 3.40"
	03S - 3S	03 - Blue			350 - 3.50"	365 - 3.65"
	04S - 4S	04 - Clear			375 - 3.75"	390 - 3.90"
	05S - 5S	05 - Fern Green			400 - 4.00"	415 - 4.15"
	12S - 12S	06 - Fluor Green			425 - 4.25"	440 - 4.40"
	13S - 13S	07 - Orange			465 - 4.65"	470 - 4.70"
	14S - 14S	08 - Red				
	15S - 15S	09 - Pink				
	16S - 16S	10 - Off White				
		11 - Yellow				

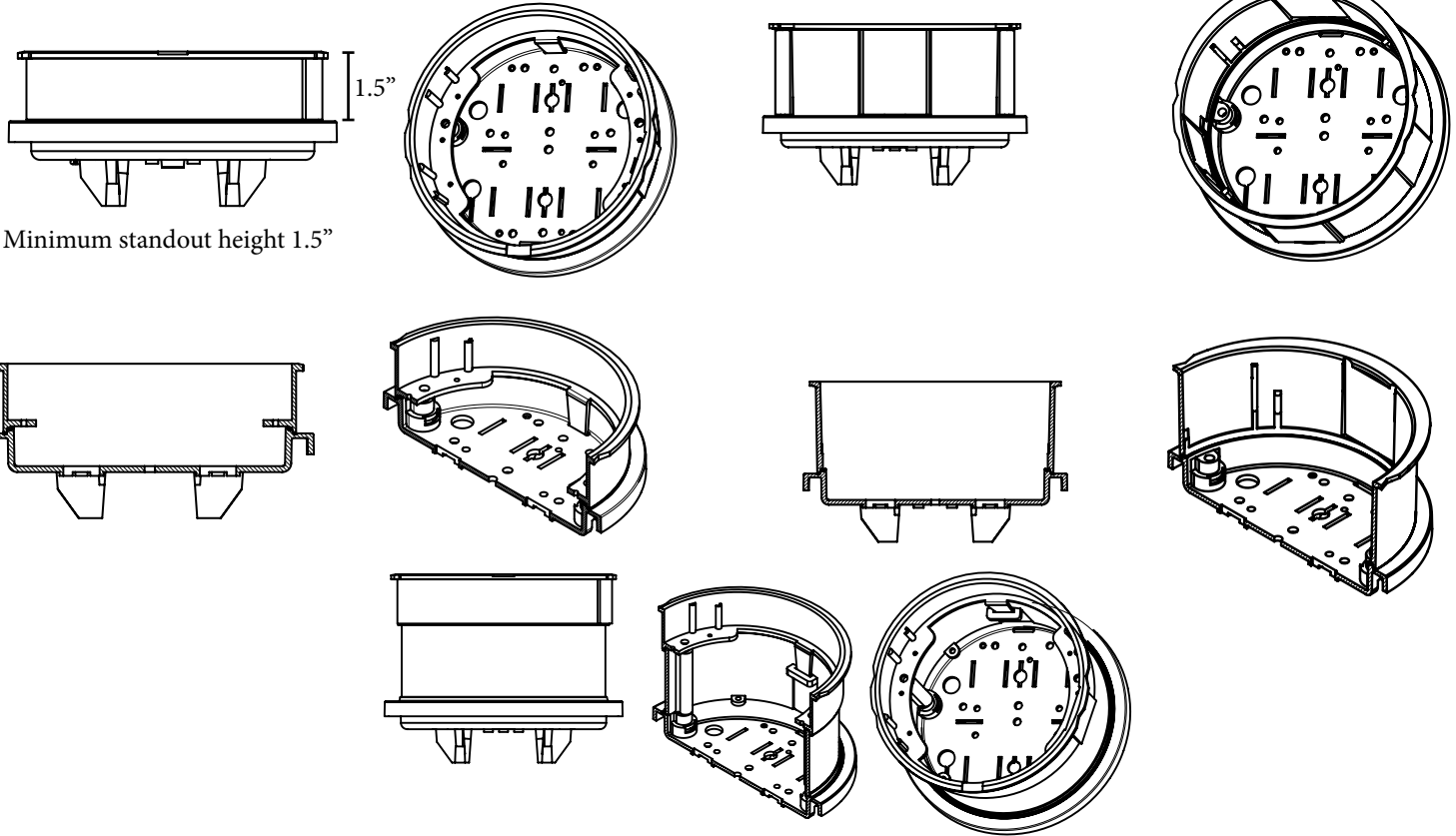
Additional customizations are available. Please contact the factory for all options.

Note: You may add additional options as needed by extending the model number

# Customized Meter Socket Adapter

## Single Cavity

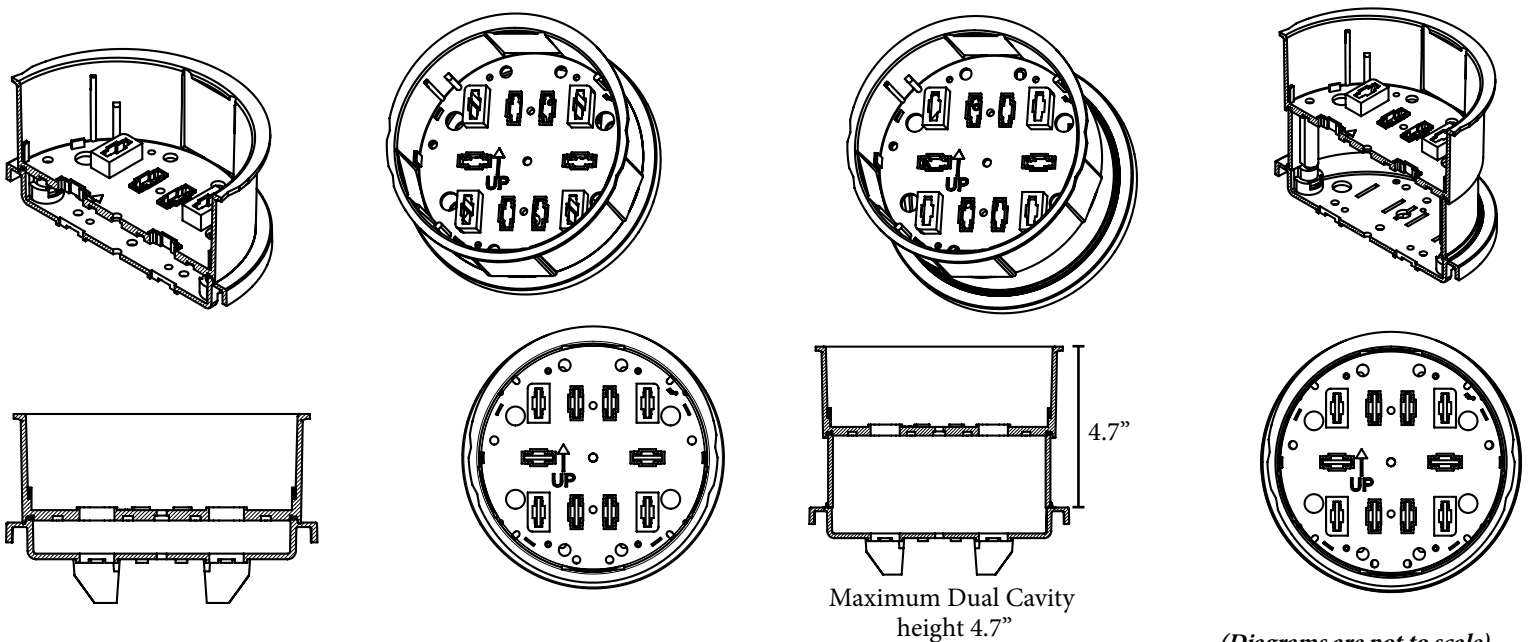
Also Available As OEM Products



Minimum standout height 1.5"

---

## Dual Cavity



Maximum Dual Cavity height 4.7"

*(Diagrams are not to scale)*