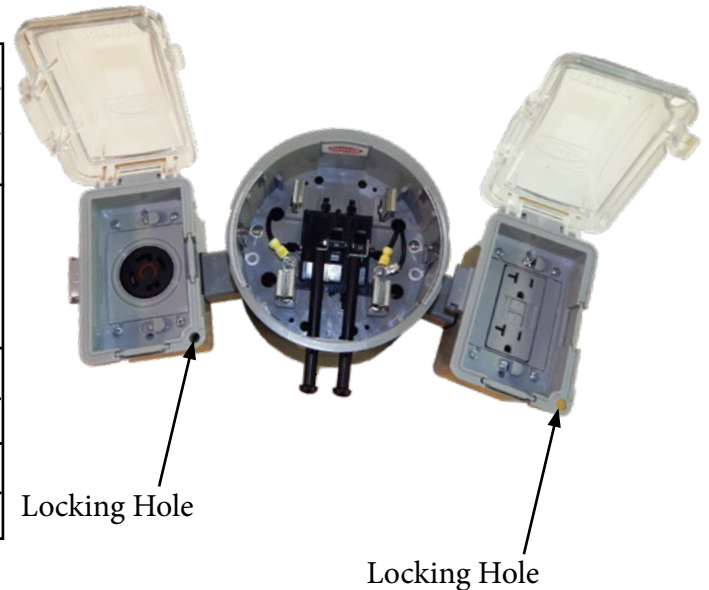


Also Available As OEM Products

Specification & Features

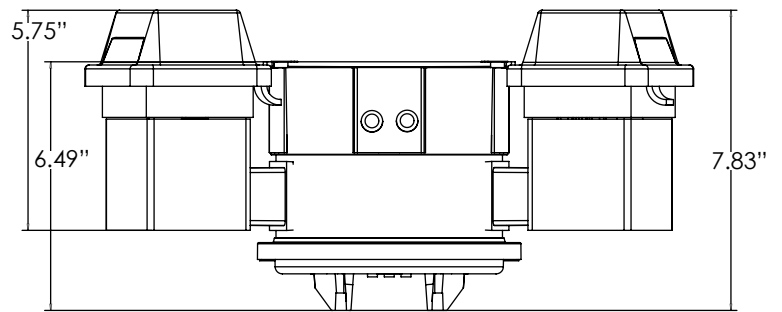
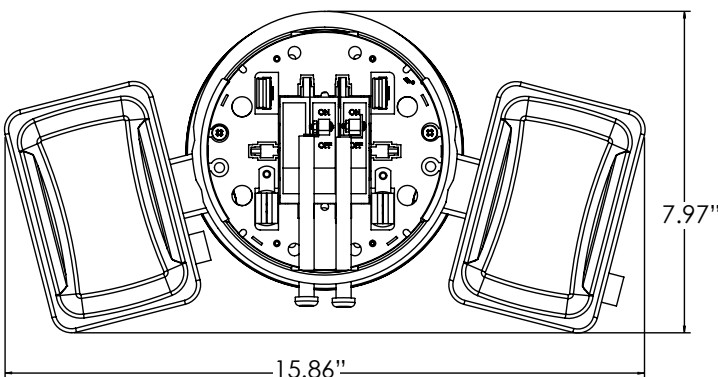
UL Listed Components
Isolated Load Side Jaw Blades*
Protection of Meter with Proven Surge Ground System
Meter Adapter made with: UV Stabilized Plastic Flame Rating: 5VA/V-0 (Grey), HB (colors) Polycarbonate (Fiberglass Reinforced Grey)
Eliminates the need for portable generators
Ground-fault and overcurrent protected outlet
Reusable Unit
RotoLock Mechanism Option Available (More Information)

* No Power is Provided to Load Side of Meter Socket



The AE Products Temporary Power Outlet (IS) is ideal for use in a variety of applications where power is not available. This device helps utilities provide temporary electrical service by isolating power from the breaker panel. The AE Products TPO is a perfect fit for use in emergency situations such as hurricane restoration, storm outages, fire damage and more. This versatile device can also be used for motor homes, travel trailers, marine shore power, temporary power at construction sites and solar pump stations.

Dimensions



(Diagrams are not to scale)

Model Number	Description
TPO-IS-02S-01/L1420-GFCI20	Temporary Power Outlet with NEMA L14-30R Twist Lock and GFCI 20amp Standard 520 Receptacle
TPO-IS-02S-01/GFCI20-GFCI20	Temporary Power Outlet with (2) GFCI 20amp Standard 520 Receptacle
TPO-IS-02S-01/TT30R-GFCI20	Temporary Power Outlet with Trailer/Motor Home Hookup and GFCI 20amp Standard 520 Receptacle

Option: Replace GFCI20 with GFCI20USB for (2) USB plugs integrated in receptacles.

Other Configurations Available. Please Contact Factory for More Details.