

Also Available As OEM Products

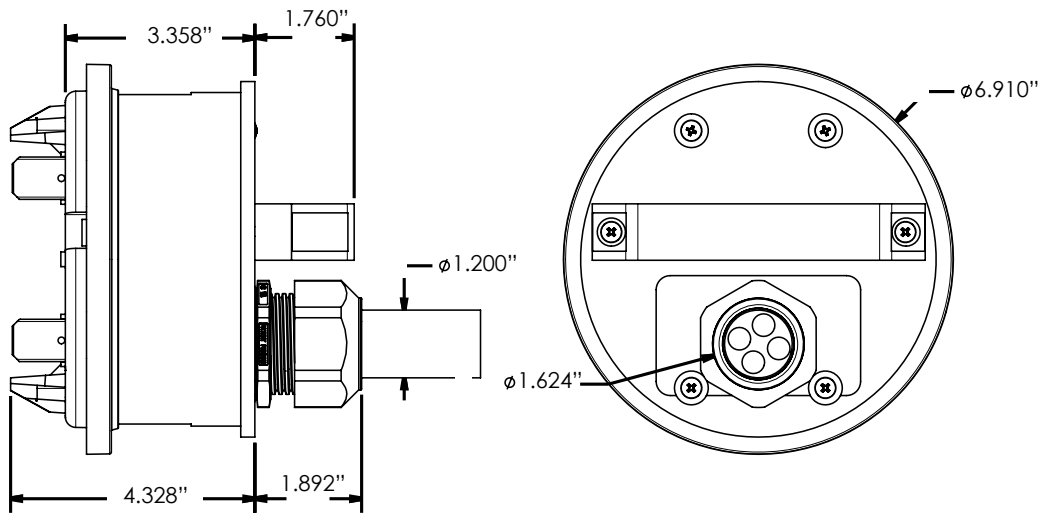
## Specification & Features

UV Stabilized Plastic
Flame Rating: 5VA/V-0 (Grey), HB (colors)
Polycarbonate (Fiberglass Reinforced Grey)
Single Phase & Three Phase Configurations
Line, Load, & Power Present Warning Light (optional)
Cable Size Available up to #2/4SO
Cable Size Determines System Amperage
Compatible with 200Amp or 320Amp Meter Sockets



The AE Products Emergency Power unit provides power to a facility through an external power source like a generator (FAC). This device can also be configured to extract power from a facility through the meter socket in order to feed an external location. The power extracting version can be designed to maintain power at the facility (DIV) or to isolate power solely to the external location keeping the facility dead (EXT).

## Dimensions



(Diagrams are not to scale)

## Model Number Configuration

**TMI - SP - 02S - 01 / \_\_\_\_\_ - \_\_\_\_\_**

### Meter Form

- 01S - 1S
- 02S - 2S
- 12S - 12S
- 13S - 13S
- 14S - 14S
- 15S - 15S
- 16S - 16S

### Options(multiple options allowed)

#### Power Options (required)

- DIV - Power to Facility & External
- EXT - Power to external Location Only
- FAC - Power to Facility Only

#### LED Diagnostics

- LNG - Line Side Status (Green)
- LNR - Line Side Status (Red)
- LDG - Load Side Status (Green)
- LDR - Load Side Status (Red)
- PWR - Power Present (Red)

Additional customizations are available. Please contact the factory for all additional options such as cord length and cable end receptable/plug.

Note: You may add additional options as needed by extending the model number