

Also Available As OEM Products

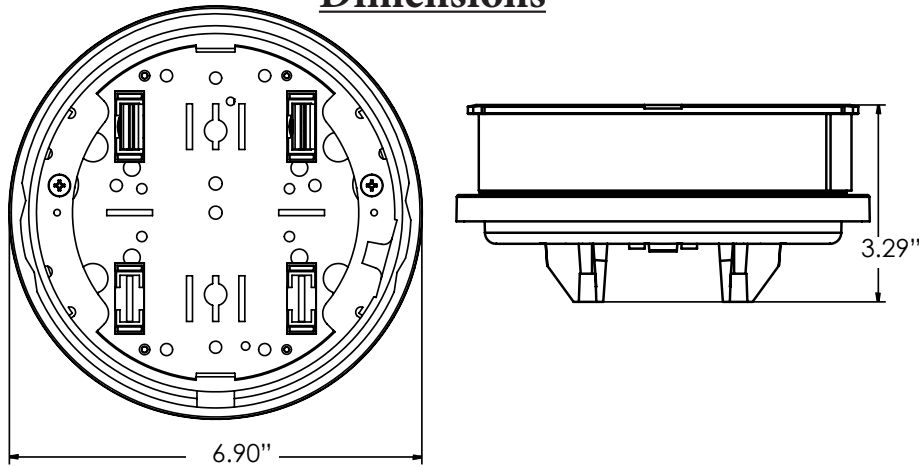
Specification & Features

UV Stabilized Plastic
Flame Rating: 5VA/V-0 (Grey), HB (colors)
Polycarbonate (Fiberglass Reinforced Grey)
2.4" Standard Profile Stand-Out Height
1.5" Low Profile Stand-Out Height
Available With Meter Non-Energized



The AE Products Stay Hot with Potential/Service Disconnect disconnects customer load but maintains power to the electronic meter. The meter maintains reading and communications link for AMR/AMI operations while disabling the load side.

Dimensions



Model Number Configuration

(Diagrams are not to scale)

SDA - LP - 02S - 01 / EME - _____

Standard Size SP - Standard Profile LP - Low Profile	Conversion Meter Form 01S - 1S 02S - 2S 03S - 3S 04S - 4S 05S - 5S 07S - 7S 12S - 12S 13S - 13S 14S - 14S 15S - 15S 16S - 16S 17S - 17S 24S - 24S 35S - 35S 45S - 45S	Color 01 - Gray 02 - Black 03 - Blue 04 - Clear 05 - Fern Green 06 - Fluor Green 07 - Orange 08 - Red 09 - Pink 10 - Off White 11 - Yellow	Options (multiple options allowed) Service Disconnect Adapter EME - Electronic Meter Energizing without Tilt TLT - Meter Tilt Visual Indication, Non-Energized EMT - Electronic Meter Energizing & Meter Tilt Visual Indication LED Diagnostics LNG - Line Side Status (Green) LNR - Line Side Status (Red) LDG - Load Side Status (Green) LDR - Load Side Status (Red) PWR - Power On (Red)	Ground GND - Meter Ground (Strap) Jaw Blade Configuration JB3 - 3 o'clock position JB6 - 6 o'clock position JB9 - 9 o'clock position
---	---	--	---	---

Note: You may add additional options as needed by extending the model number.