

Also Available As OEM Products

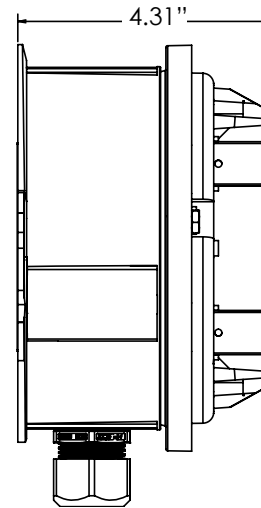
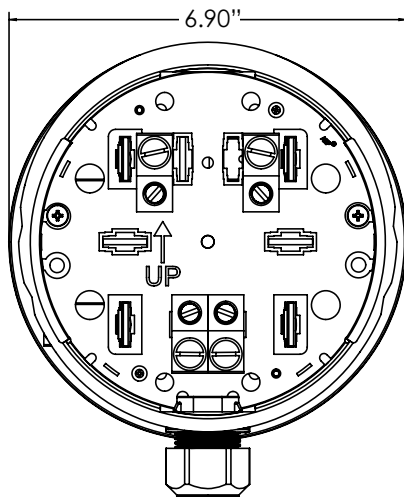
Specification & Features

UV Stabilized Plastic
Flame Rating: 5VA/V-0 (Grey), HB (colors)
Polycarbonate (Fiberglass Reinforced Grey); -40°C to 65°C
175 Amp Rated
Compatible with 200Amp or 320Amp Meter Sockets
Compatible with 2S Meter Form
Connections are designed for #4 triplex SO



The AE Products Temporary Power Bank offers electric utilities a quick and easy means of restoring power to a customer's residence via a neighboring service during emergency and after-hours scenarios.* The Temporary Power Bank is a two part system utilizing AEP's meter adapters. The donor adapter can be easily installed on a neighboring meter in order to temporarily draw power. The recipient adapter would be installed on the meter that is experiencing an interruption in service. (Contact factory for information regarding cables) ***200 Amp Max Combined Load**

Dimensions



(Diagrams are not to scale)

Model Number Configuration

TPB - SP - 02S - 01 / _____

Contact factory for information regarding cables

- Color**
- 01 - Gray
 - 02 - Black
 - 03 - Blue
 - 04 - Clear
 - 05 - Fern Green
 - 06 - Fluor Green
 - 07 - Orange
 - 08 - Red
 - 09 - Pink
 - 10 - Off White
 - 11 - Yellow

Additional customizations are available. Please contact the factory for all options.

Note: You may add additional options as needed by extending the model number