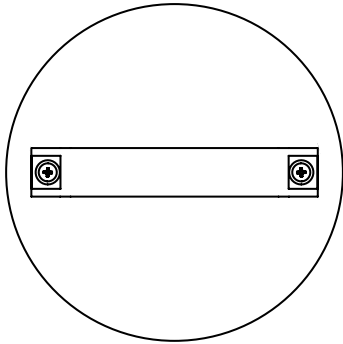


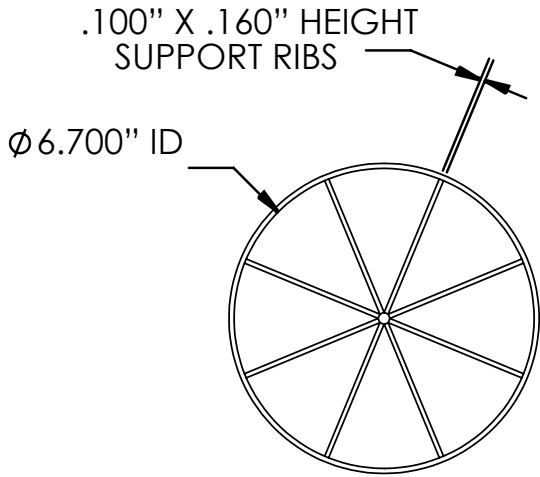
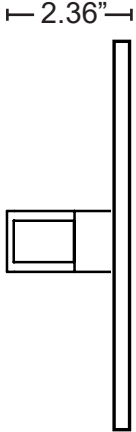
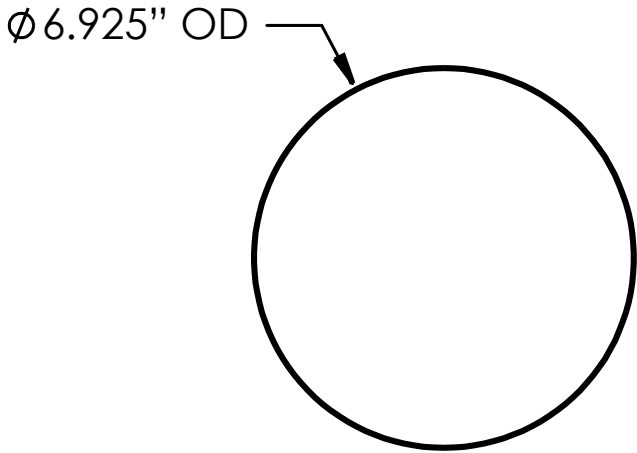
**Housing Specification & Features**

UV Stabilized Plastic
Fiberglass Reinforced Polycarbonate
Long, Heavy-Duty Handle
Flame Rating: 5VA/V-0 (Grey), HB (colors)



The AE Products Safety Installation Cover is a cost effective safety product for electrical workers when installing any type of meter extension housing. This non-conductive design allows a safer working environment when installing a device in a live meter.

**Dimensions**



*(Diagrams are not to scale)*

Model Number	Description
SDA-NP-02S-04/WOB-PLN/GH	Safety Installation Cover